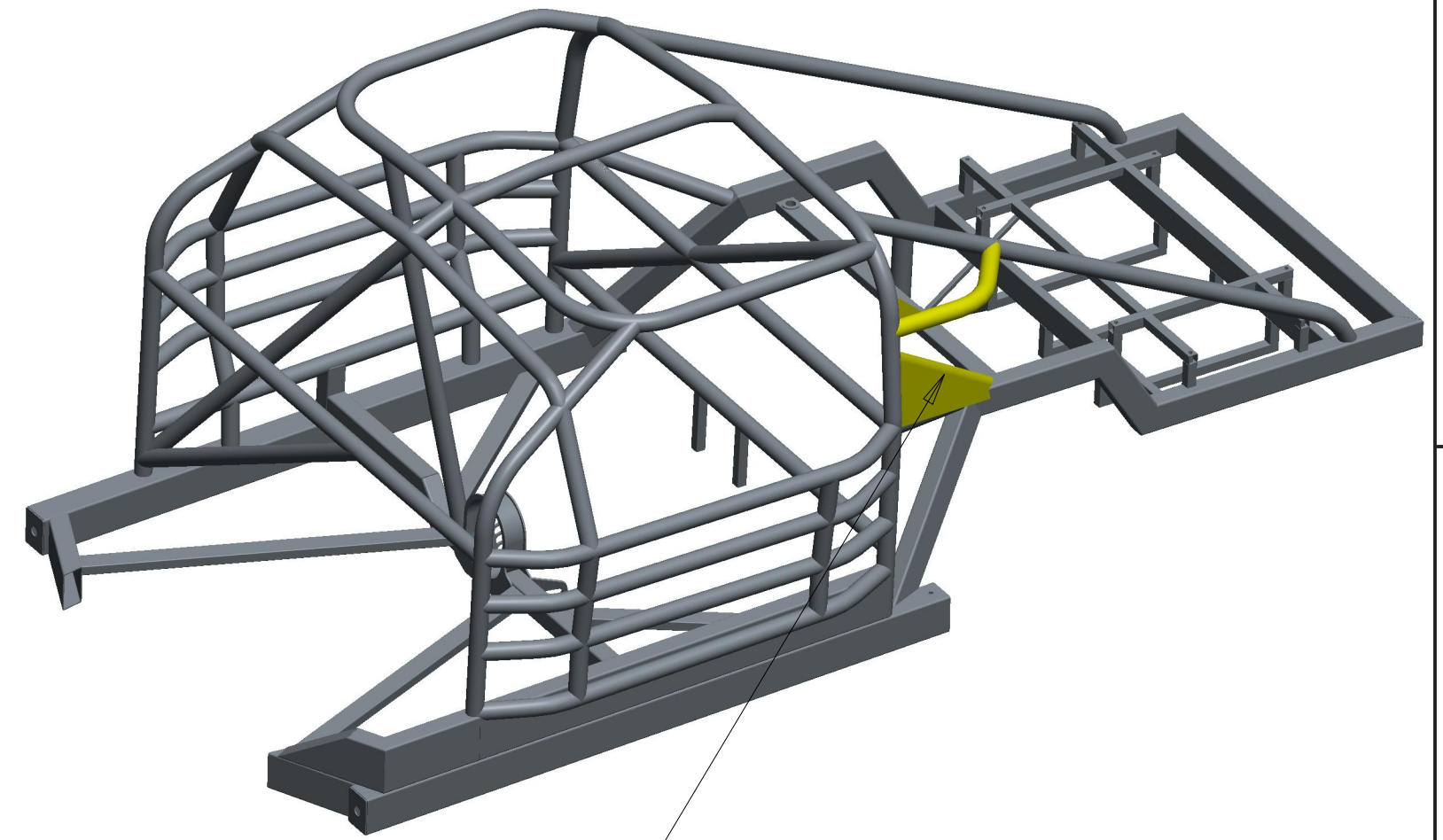
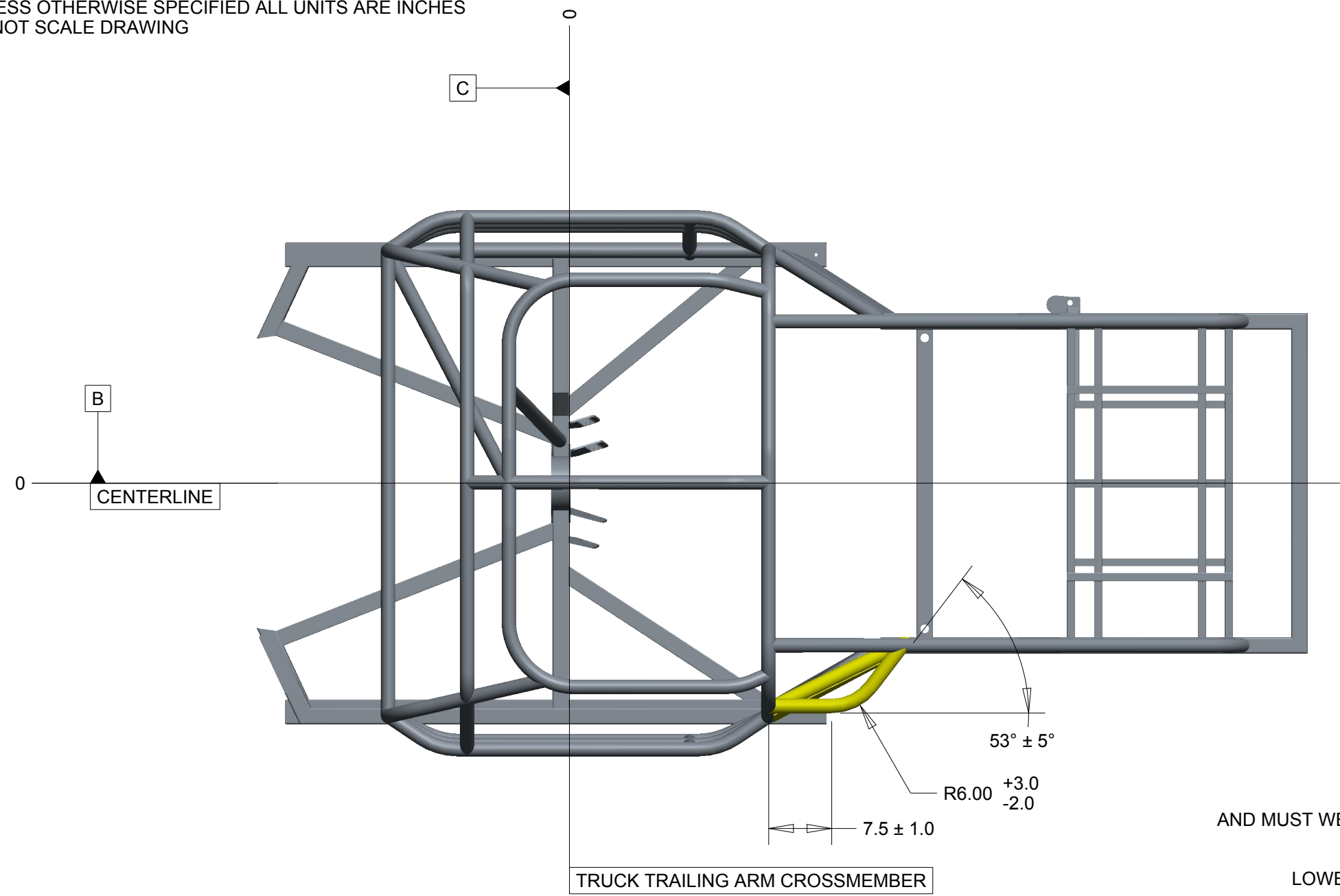
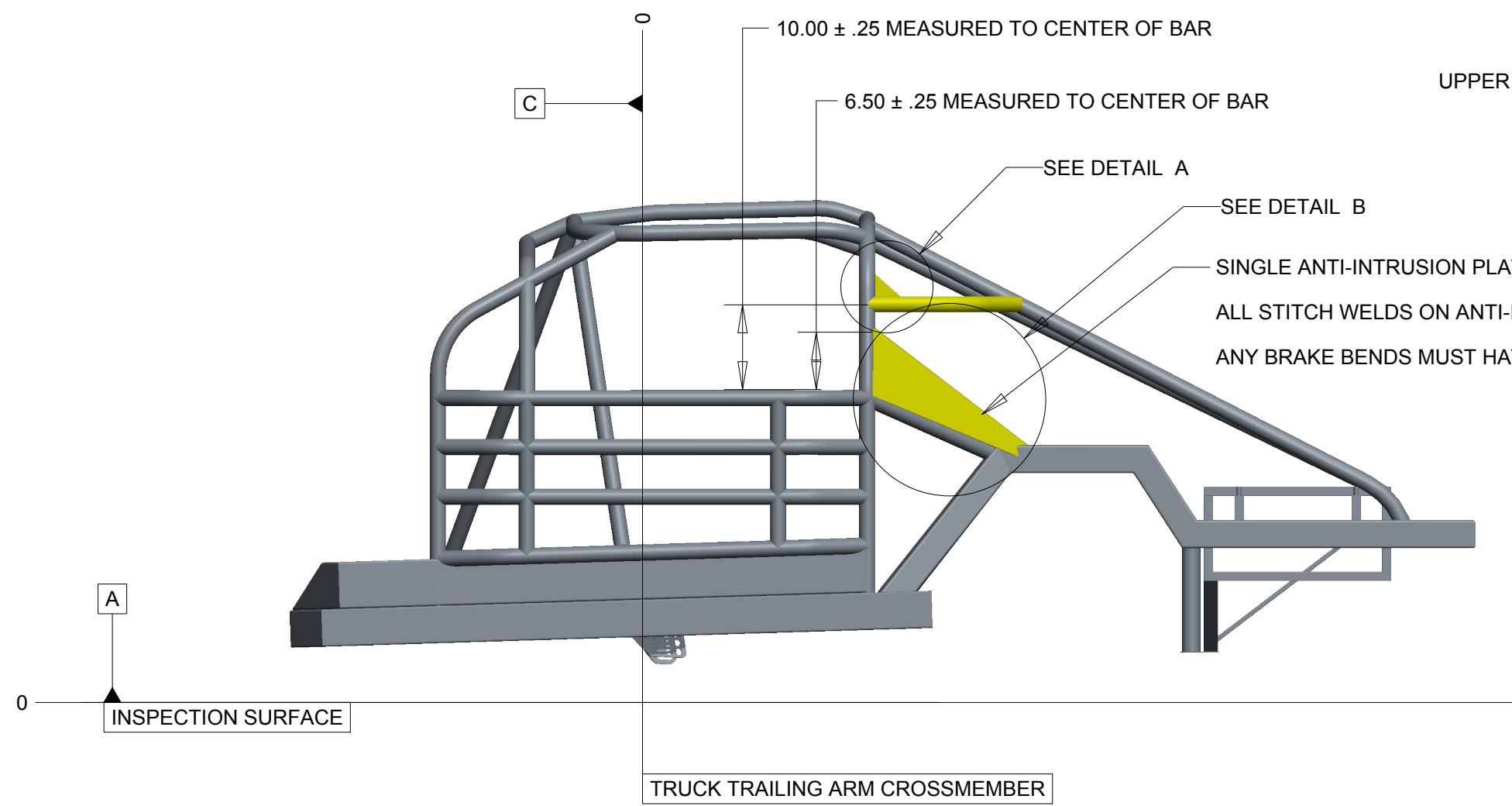


NOTES:  
 1. UNLESS OTHERWISE SPECIFIED ALL UNITS ARE INCHES  
 2. DO NOT SCALE DRAWING

REV	DESCRIPTION	DRAWN BY	DATE
A	FINAL	POPIELA	04/29/2020

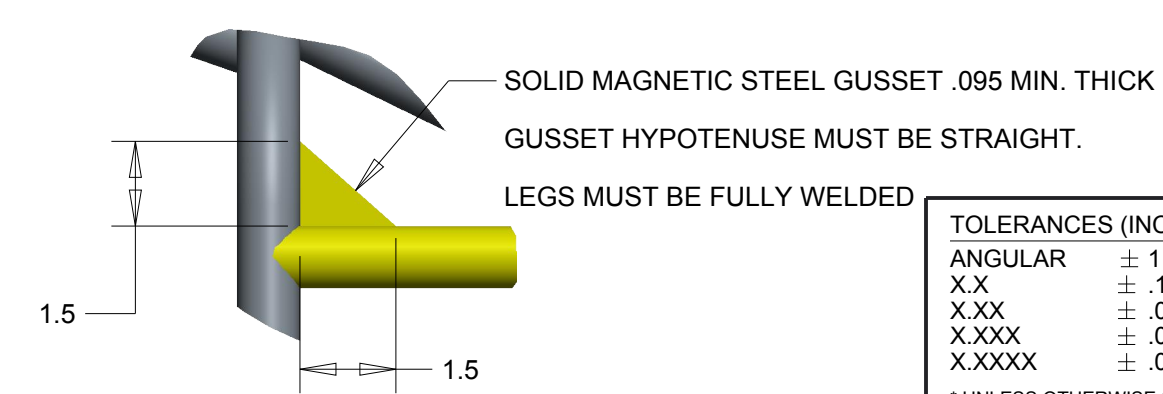
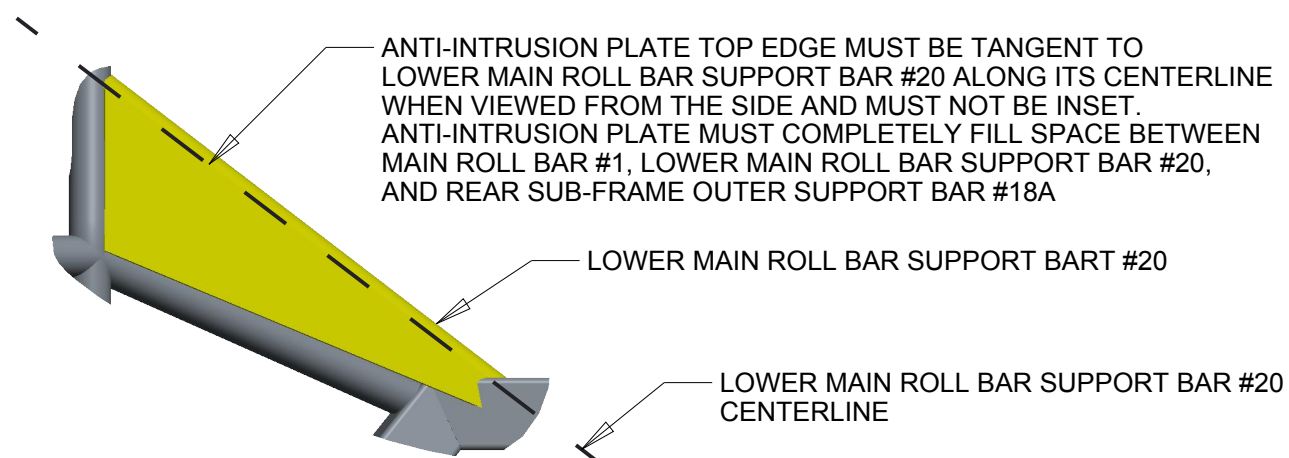
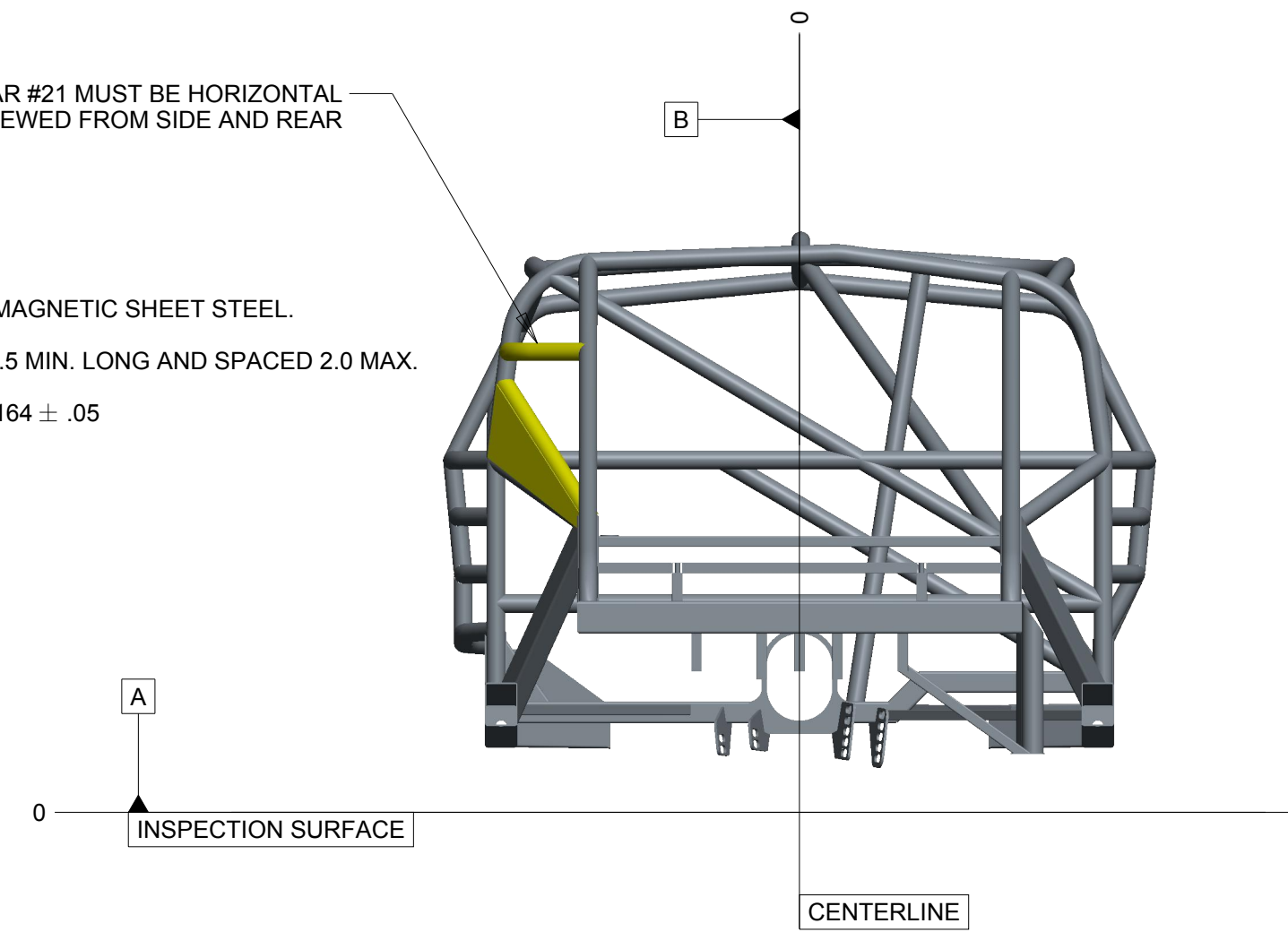


LOWER MAIN ROLL BAR SUPPORT BAR #20 MUST BE STRAIGHT AND MUST WELD TO THE MAIN ROLL BAR #1 AND TO THE LHS REAR SUB-FRAME RAIL AND/OR REAR SUB-FRAME OUTER SUPPORT BAR #18A .  
 LOWER MAIN ROLL BAR SUPPORT BAR #20 MUST HAVE A MINIMUM LENGTH OF 16.0



UPPER MAIN ROLL BAR SUPPORT BAR #21 MUST BE HORIZONTAL WHEN VIEWED FROM SIDE AND REAR

SINGLE ANTI-INTRUSION PLATE MUST BE .085 MIN. THICK MAGNETIC SHEET STEEL.  
 ALL STITCH WELDS ON ANTI-INTRUSION PLATE MUST BE 1.5 MIN. LONG AND SPACED 2.0 MAX.  
 ANY BRAKE BENDS MUST HAVE INTERNAL BEND RADIUS .164 ± .05



LEGAL NOTICE: TRADE SECRETS AND/OR CONFIDENTIAL/PROPRIETARY INFORMATION OWNED BY NASCAR, INC. IS CONTAINED HEREIN AND MAY NOT BE DISCLOSED, USED, DUPLICATED, OR DISTRIBUTED WITHOUT NASCAR'S PRIOR WRITTEN CONSENT. FAILURE TO PROTECT NASCAR'S TRADE SECRETS AND/OR CONFIDENTIAL/PROPRIETARY INFORMATION MAY RESULT IN LIABILITY FOR ALL RESULTING DAMAGES AND LOSSES.

TOLERANCES (INCHES)		TITLE	
ANGULAR	± 1 DEG	RULE BOOK	
X.X	± .1	ROLL CAGE STRUCTURE -	
X.XX	± .01	LOWER MAIN ROLL BAR SUPPORT BAR #20	
X.XXX	± .005	AND UPPER MAIN ROLL BAR SUPPORT BAR #21	
X.XXXX	± .0010		
* UNLESS OTHERWISE SPECIFIED			
DRAWN BY	POPIELA	SIZE	C
DATE	03/11/2020	DRAWING NUMBER	AB-002-01186D-20
SCALE	.063	SHEET	1 OF 1
		MATERIAL	N/A